



Industrial Microscope



ECLIPSE

LV150L

## Introducing a new industrial microscope designed especially for episcopic illumination applications on the production line

The new LV150L is made especially for episcopic illumination and features a newly designed LE Plan objective lens, a white LED light source that provides bright, long-lasting illumination and a three-plate rigid stage. All these features combine to make it optimal for the production floor, yet at a reasonable cost. The LV150L also features ESD protection, which ensures safe assembly of storage devices such as hard disk sliders.



### Newly designed CF160 LE Plan objective lens for brightfield observation

The newly designed brightfield objective lens delivers bright, clear images with superior contrast, and minimal flare. (F.O.V. 22mm)



### 3.7W white LED light source

The new white LED light source has a maximum lifespan of 50,000 hours. Provides enough brightness not only for brightfield observations but also for DIC\* and POL\* observation applications such as hard disk sliders, with minimum maintenance.

\*Requires LU Plan Fluor Objective lens.



### Three-plate rigid stage

Like the renowned LV series of microscopes, the three-plate stage design (6x6, 6x4 and 3x2) ensures ease of operation.

### ESD Protection\*

The ESD protection feature prevents samples from being damaged by electrostatic, allowing undisturbed inspection and thus improving yield.

\*ESD plate accessory is required to enable ESD protection.

Specifications	
Optical system	CFI60 Optics
Observation method	Brightfield, Simple polarizing*, DIC*
Nosepiece	C-N6 Nosepiece, L-NU5 Nosepiece
Light source	3.7W white LED EPI illuminator
Aperture diaphragms	Dialing continuous variable (centerable)
Focusing mechanism	Stroke 40mm (torque adjustable with refocusing mechanism)
Maximum specimen height	47mm (in combination with accessories, height of up to 116.5mm can be accommodated.)
Stage	LV-S6 6x6 Stage, LV-S32 3x2 Stage, LV-S64 6x4 Stage
Eyepiece tube	LV-TI3 Trinocular (erect image, F.O.V.25), Y-TB Binocular (inverted image, F.O.V. 22, non-ESD type)
Eyepiece	CFI eyepiece series
Objective lens	CFI60 series
Power source	100-240V, 50/60Hz
Maximum power consumption	0.2A/10W
Dimensions	250(W)x460(D)x506(H) mm (standard configuration)
Approx. weight	16.0kg

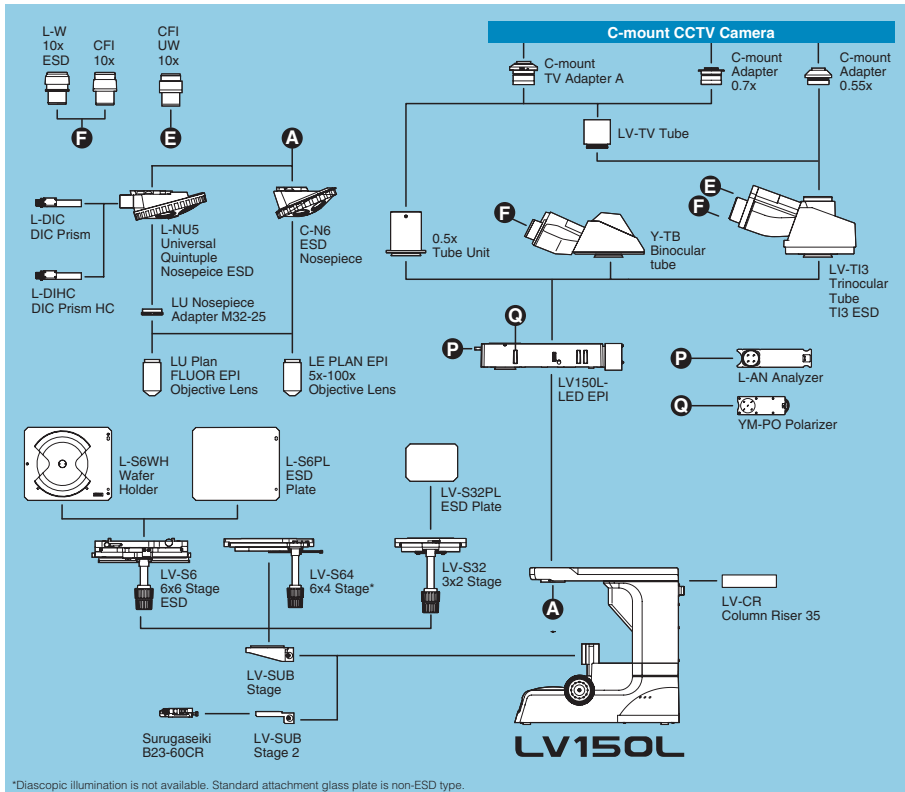
\*Requires LU Plan Fluor Objective lens.

## Optional Equipment

The LV150L, in combination with the Digital Sight series of digital still cameras and NIS-Elements software, provides versatile digital imaging as well as state-of-the-art image processing technology.

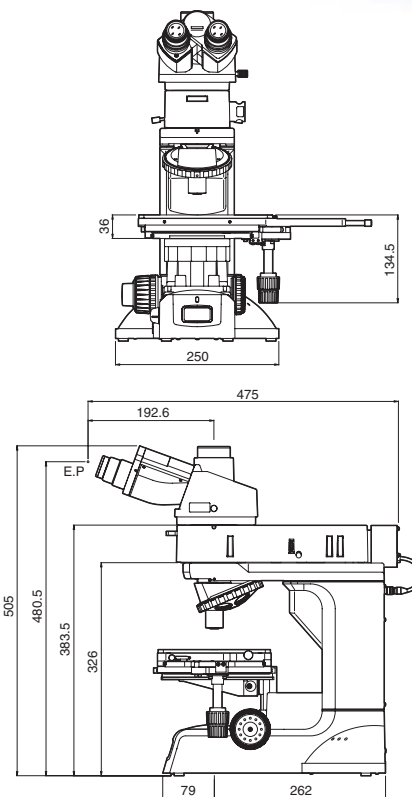


### System Diagram



\*Diascopic illumination is not available. Standard attachment glass plate is non-ESD type.

### Dimensions (mm)



Specifications and equipment are subject to change without any notice or obligation on the part of the manufacturer. May 2009 ©2009 NIKON CORPORATION

The products detailed in the brochure are controlled by the Japanese Foreign Exchange and Foreign Trade Law and the International Export Control Regime. If there is a possibility that they may be utilized for the development of weapons of mass destruction, etc., they shall not be exported without authorization from the government.

**WARNING** TO ENSURE CORRECT USAGE, READ THE CORRESPONDING MANUALS CAREFULLY BEFORE USING THE EQUIPMENT.



**NIKON CORPORATION**  
6-3, Nishiho 1-chome, Shinagawa-ku,  
Tokyo 140-8601, Japan  
phone: +81-3-3773-9026 fax: +81-3-3773-9062  
<http://nikon.com/products/instruments/>



ISO 9001 Certified  
NIKON CORPORATION  
Instruments Company



ISO 14001 Certified  
NIKON CORPORATION  
Yokohama Plant

**NIKON INSTRUMENTS INC.**  
1300 Walt Whitman Road, Melville, N.Y. 11747-3064, U.S.A.  
phone: +1-631-547-8500; +1-800-52-NIKON (within the U.S.A. only)  
fax: +1-631-547-0306  
<http://www.nikoninstruments.com/>  
**NIKON INSTRUMENTS EUROPE B.V.**  
Laan van Kronenburg 2, 1183 AS, Amstelveen, The Netherlands  
phone: +31-20-44-96-222 fax: +31-20-44-96-298  
<http://www.nikoninstruments.eu/>  
**NIKON INSTRUMENTS (SHANGHAI) CO., LTD.**  
CHINA phone: +86-21-5836-0050 fax: +86-21-5836-0030  
(Beijing branch) phone: +86-10-5869-2255 fax: +86-10-5869-2277  
(Guangzhou branch) phone: +86-20-3882-0550 fax: +86-20-3882-0580

**NIKON SINGAPORE PTE LTD.**  
SINGAPORE phone: +65-6559-3618 fax: +65-6559-3668  
**NIKON MALAYSIA SDN. BHD.**  
MALAYSIA phone: +60-3-7809-3609 fax: +60-3-7809-3633  
**NIKON INSTRUMENTS KOREA CO., LTD.**  
KOREA phone: +82-2-2186-8400 fax: +82-2-555-4415  
**NIKON CANADA INC.**  
CANADA phone: +1-905-602-9676 fax: +1-905-602-9953  
**NIKON FRANCE S.A.S.**  
FRANCE phone: +33-1-45-16-45-16 fax: +33-1-45-16-45-55  
**NIKON GMBH**  
GERMANY phone: +49-211-9414-220 fax: +49-211-9414-322  
**NIKON INSTRUMENTS S.p.A.**  
ITALY phone: +39-55-3009601 fax: +39-55-300993  
**NIKON AG**  
SWITZERLAND phone: +41-43-277-2860 fax: +41-43-277-2861

**NIKON UK LTD.**  
UNITED KINGDOM phone: +44-20-8247-1717 fax: +44-20-8541-4584  
**NIKON GMBH AUSTRIA**  
AUSTRIA phone: +43-1-972-6111-00 fax: +43-1-972-6111-40  
**NIKON BELUX**  
BELGIUM phone: +32-2-705-56-65 fax: +32-2-726-66-45